

Short description Force Transducer FTT01

The TEQFORT GmbH develop, produce and marketed on strain gauge based sensors for force and torque measuring as well as the required electronic. The name TEQFORT represent for - Test Equipment Force Torque - and for quality at high and highest precision.

The force transducer of the model range FTT01 is a columnar design and und well qualified for all tension and compression application, in industrial area just like for the high requirements in the proofing and test technic. In particular, measuring tasks in which a dynamic use is required with a small footprint are his area of responsibility.



- **Nominal Load 10 kN - 500 kN**
- **For static and dynamic use in tension und compression direction**
- **Accuracy from 0,2 - 0,3 %**
- **Fatigue resistance ± 100 %**
- **Standard line length 5 m, 6-wire technology**

Short description Force Transducer FTT01

The FTT01 sensor integrates well with adapters in a wide variety of configurations. Thus, a simple and flexible use is guaranteed. A typical application is the use in a test bench with connecting rods, in which the sensor is clamped between these rods by means of wedge discs.

Options

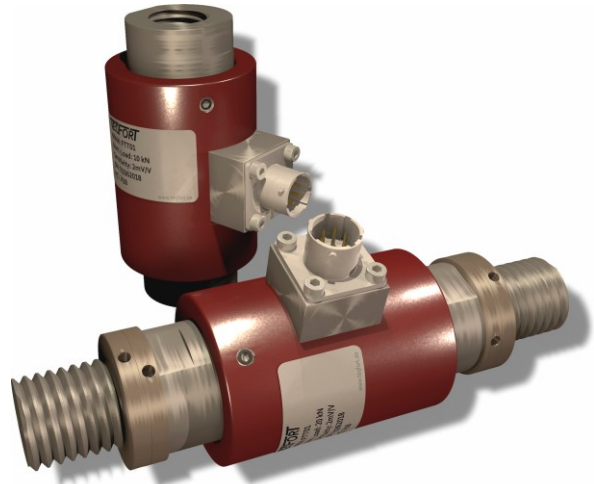
Second measuring circuit for redundancy

Fixed wire connection

Attachment parts for assembling

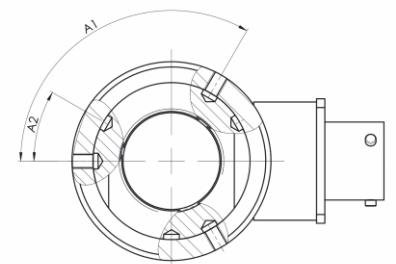
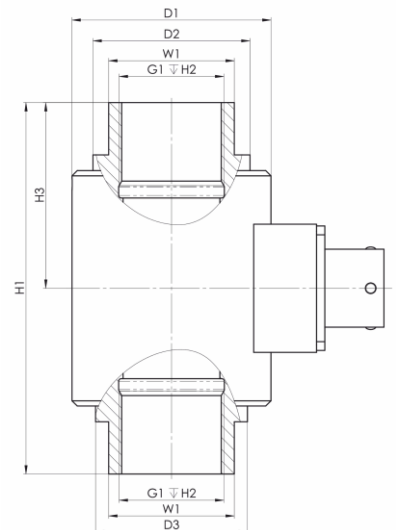
External threaded version with adapter

Rotation of the connection by 90° to the key area



Technical Data

Nominal Load	$\pm F_{nom}$	kN	10	20	50	100	200	500
Accuracy		%	0,2		0,3			
Linearity error	d_{lin}	%	0,2		0,3			
Hysteresis	h	%	0,05		0,07			
Reproducibility		%			0,01			
Rel. zero-point return	f_0	%			0,02			
Creep		%			0,05			
Eccentricity effect		%/mm			0,05			
Lateral force effect		%/(0,1·Fnom)			0,1			
Torque effect		%/(mm·Fnom)			0,1			
Characteristic value, tension/compression	d_{zD}	%			< 2			
Nominal temperature range		°C			+10 - +60			
Temperature effect on characteristic value	TK_C	%/10K			0,2			
Temperature effect on zero signal	TK_0	%/10K			0,2			
Rated characteristic value	C_{nom}	mV/V			2			
Input resistance	R_e	Ω			per bridge ca. 1000			
Range of supply voltage	$B_{U,G}$	V			5 - 15			
Protection class (EN 60529)		IP			54			



Nominal Load	$\pm F_{nom}$	kN	10	20	50	100	200	500
Height	H_1	mm	71		95		115	
Thread height	H_2	mm	19		22		25	
Height	H_3	mm	35,5		47,5		57,5	
Diameter	D_1	mm	38		55		65	
Diameter	D_2	mm	30		45		55	
Diameter	D_3	mm	29		44		54	
Spanner size	W_1	mm	24		36		46	
Thread	G_1		M20 x 1,5		M24 x 2		M30 x 2	
Angle	A_1				120°			
Angle	A_2				30°			
Weight		kg	0,3		1		1,5	